

AHI



AHI Supply, LP



CAST STONE CATALOG



Dear Industry Professional,

Thank you for requesting our Cast Stone Catalog. AHI Supply, LP is committed to manufacturing quality architectural cast stone products at an affordable price with a focus on *customer satisfaction and service*. Since 1988, AHI has produced a large variety of cast stone products for projects throughout Texas.

- *City Administrative Buildings*
- *Community Centers*
- *Museums, Churches, Hospitals*
- *Schools, Universities, Historical Landmarks, Monuments*
- *And hundreds of Residential Homes have been enhanced with cast stone by AHI Supply, LP*

Your designs are always welcome in our custom shop and our design department is always ready to assist you with your ideas.

Enclosed are over 30 pages of illustrations and specifications available for your review. Should you require an original CADD drawing on CD, please contact us at our nearest location listed below or get in touch with us via our website at www.ahi-supply.com.

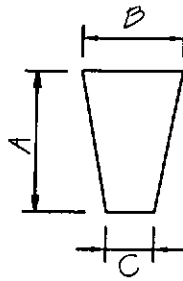
We look forward to working with you!

Sincerely,
AHI Supply, LP

AHI's Alvin, Texas Facility - Serving the Houston Area
Office (281)482-8292, (800)873-5794, Fax (281)331-9813

AHI's Buda, Texas Facility - Serving the Austin Area
Office (512)312-0879, (800)499-0984, Fax (512)295-3277

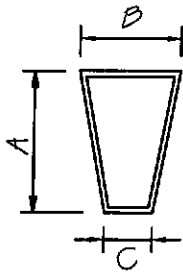
AHI's Roanoke, Texas Facility - Serving the Dallas/Fort Worth Area
Office (817)430-0228, (800)525-5382, Fax (817)430-4370



Flat Keystones

| ITEM NUMBER | "A" | "B" | "C" | "D" |
|--------------|-----|--------|-----|-----|
| CSFKEY10D | 10" | 8" | 5" | - |
| CSFKEY12D | 12" | 9-1/2" | 6" | - |
| CSCFKEY12D * | 12" | 9-1/2" | 6" | - |

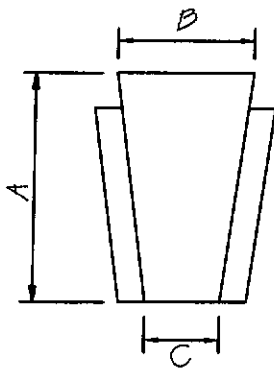
* THIS STONE IS CANTED, OR TILTED FORWARD



Beveled Keystones

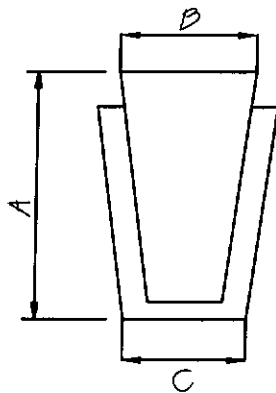
| ITEM NUMBER | "A" | "B" | "C" | "D" |
|--------------|-----|---------|--------|-----|
| CSBKEY6D | 6" | 2" | 2" | - |
| CSBKEY8D | 8" | 4" | 3" | - |
| CSBKEY9D | 9" | 6" | 4" | - |
| CSBKEY10D | 10" | 8" | 5" | - |
| CSCHKEY10D * | 10" | 8" | 5" | - |
| CSBKEY12D | 12" | 10" | 6" | - |
| CSBKEY15D | 15" | 12-1/2" | 7-1/2" | - |

* THIS STONE IS CHAMFERED, NOT BEVELED



Batwing Keystones

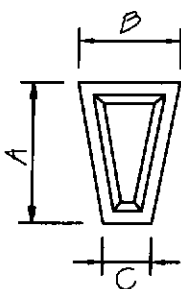
| ITEM NUMBER | "A" | "B" | "C" | "D" |
|-------------|-----|-----|--------|-----|
| CSBWKEY9 | 9" | 6" | 4" | - |
| CSBWKEY11 | 11" | 9" | 5-1/2" | - |



Batwing Keystones

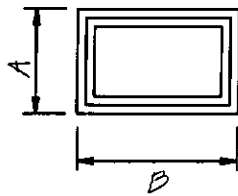
| ITEM NUMBER | "A" | "B" | "C" | "D" |
|---------------|-----|-----|--------|-----|
| CSBWKEY14D | 14" | 11" | 6-3/4" | - |
| CSCBWKEY14D * | 14" | 10" | - | - |

* THIS STONE IS CANTED, OR TILTED FORWARD



Recessed Keystones

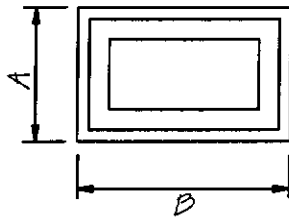
| ITEM NUMBER | "A" | "B" | "C" | "D" |
|-------------|-----|-----|-----|-----|
| CSRKEY10 | 10" | 8" | 4" | - |
| CSRKEY12 | 12" | 9" | 5" | - |



Small Address Stone

| ITEM NUMBER | "A" | "B" | "C" | "D" |
|--------------|-----|-----|-----|-----|
| CSAS10D | 9" | 14" | — | — |
| CSAS102D * | 9" | 14" | — | — |
| CSAS10DBF | 9" | 14" | — | — |
| CSAS102DBF * | 9" | 14" | — | — |

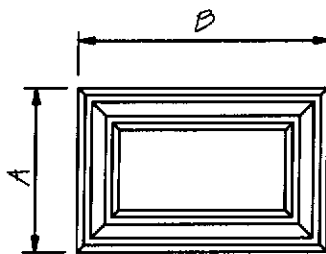
* USED FOR STUCCO- 2" THICK



Large Address Stone

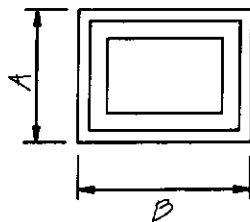
| ITEM NUMBER | "A" | "B" | "C" | "D" |
|--------------|-------|-------|-----|-----|
| CSAS20D | 11.5" | 18.5" | — | — |
| CSAS202D * | 11.5" | 18.5" | — | — |
| CSAS20DBF | 11.5" | 18.5" | — | — |
| CSAS202DBF * | 11.5" | 18.5" | — | — |

* USED FOR STUCCO- 2" THICK



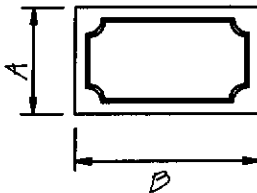
Stepped Address Stone

| ITEM NUMBER | "A" | "B" | "C" | "D" |
|-------------|--------|-----|-----|-----|
| CSASSD | 11.75" | 18" | — | — |
| CSASSDBF | 11.75" | 18" | — | — |



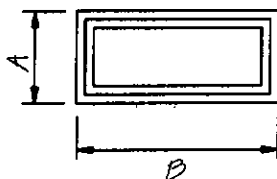
Block Address Stone

| ITEM NUMBER | "A" | "B" | "C" | "D" |
|-------------|-------|-----|-----|-----|
| CSASSTD | 11.5" | 15" | — | — |
| CSASSTDBF | 11.5" | 15" | — | — |



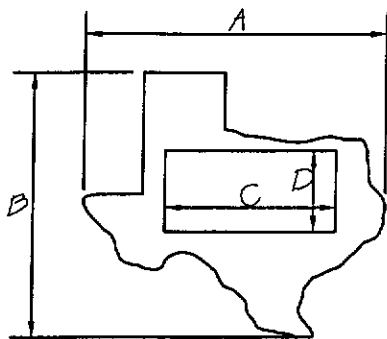
Scalloped Address Stone

| ITEM NUMBER | "A" | "B" | "C" | "D" |
|-------------|-------|-----|-----|-----|
| CSAS30D | 9.25" | 16" | — | — |
| CSAS30DBF | 9.25" | 16" | — | — |



Narrow Address Stone

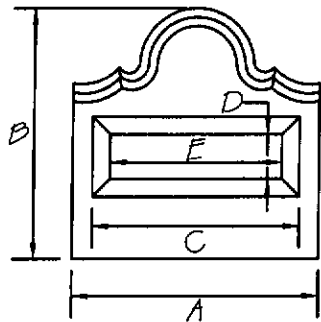
| ITEM NUMBER | "A" | "B" | "C" | "D" |
|-------------|-----|-------|-----|-----|
| CSAS15D | 8" | 17.5" | — | — |
| CSAS15DBF | 8" | 17.5" | — | — |



Texas Address Stone

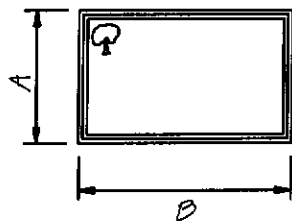
| ITEM NUMBER | "A" | "B" | "C" | "D" |
|-------------|---------|---------|--------|-----|
| CSASTXD | 14-3/4" | 14-1/2" | 9-3/4" | 5" |
| CSASTXDBF | 14-3/4" | 14-1/2" | 9-3/4" | 5" |

**** Also available without recessed**



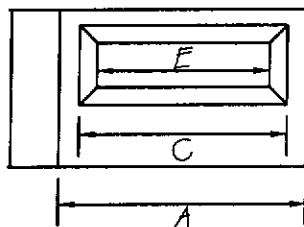
Mission Address Stone

| ITEM NUMBER | "A" | "B" | "C" | "D" | "E" |
|-------------|-----|---------|-----|-----|---------|
| CSASMD | 14" | 14-1/8" | 12" | 3" | 10-1/2" |
| CSASMDBF | 14" | 14-1/8" | 12" | 3" | 10-1/2" |



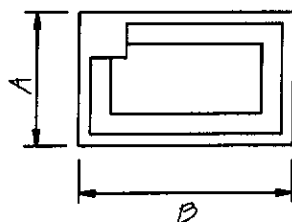
Oak Tree Address Stone

| ITEM NUMBER | "A" | "B" | "C" | "D" |
|-------------|-------|-------|-----|-----|
| CSASOAKD | 11.5" | 18.5" | - | - |
| CSASOAKDBF | 11.5" | 18.5" | - | - |



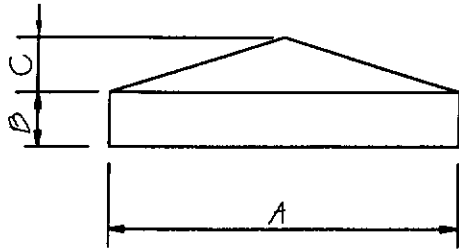
Offset Address Stone

| ITEM NUMBER | "A" | "B" | "C" | "D" | "E" |
|-------------|-----|-----|-----|-----|---------|
| CSASOD | 14" | 11" | 12" | - | 10-1/2" |
| CSASODBF | 14" | 11" | 12" | - | 10-1/2" |



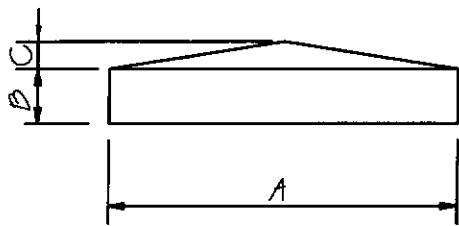
Monogram Address Stone

| ITEM NUMBER | "A" | "B" | "C" | "D" |
|-------------|-------|-------|-----|-----|
| CSASMGD | 11.5" | 18.5" | - | - |
| CSASMDBF | 11.5" | 18.5" | - | - |



Pyramid Column Caps-Typical Profile

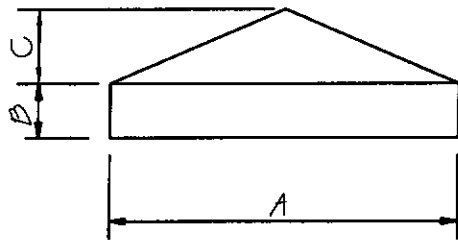
| ITEM NUMBER | "A" | "B" | "C" | "D" |
|-------------|-----|-----|-----|-----|
| CSPT1222 | 12" | 2" | 2" | — |
| CSPT1422 | 14" | 2" | 2" | — |
| CSPT1622 | 16" | 2" | 2" | — |
| CSPT1822 | 18" | 2" | 2" | — |
| CSPT2022 | 20" | 2" | 2" | — |
| CSPT2222 | 22" | 2" | 2" | — |
| CSPT2433 | 24" | 3" | 3" | — |
| CSPT2633 | 26" | 3" | 3" | — |
| CSPT2833 | 28" | 3" | 3" | — |
| CSPT3033 | 30" | 3" | 3" | — |



Pyramid Column Caps-Short Profile

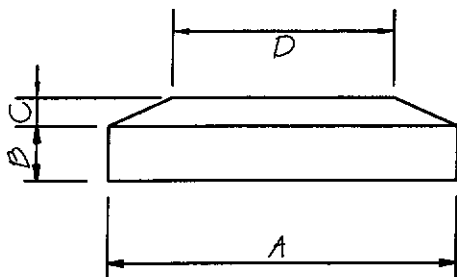
| ITEM NUMBER | "A" | "B" | "C" | "D" |
|-------------|-----|-----|-----|-----|
| CSPS1222 | 12" | 2" | 1" | — |
| CSPS1422 | 14" | 2" | 1" | — |
| CSPS1622 | 16" | 2" | 1" | — |
| CSPS1822 | 18" | 2" | 1" | — |
| CSPS2022 | 20" | 2" | 1" | — |
| CSPS2222 | 22" | 2" | 1" | — |

Note: Use Typical Profile for 24" thru 30"



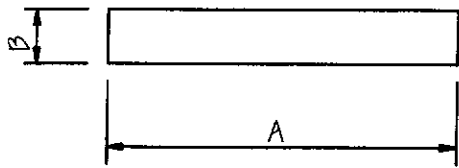
Pyramid Column Caps-Tall Profile

| ITEM NUMBER | "A" | "B" | "C" | "D" |
|-------------|-----|-----|-----|-----|
| CSPTLL1224 | 12" | 2" | 4" | — |
| CSPTLL1424 | 14" | 2" | 4" | — |
| CSPTLL1624 | 16" | 2" | 4" | — |
| CSPTLL1824 | 18" | 2" | 4" | — |
| CSPTLL2024 | 20" | 2" | 4" | — |
| CSPTLL2224 | 22" | 2" | 4" | — |
| CSPTLL2436 | 24" | 3" | 6" | — |
| CSPTLL2636 | 26" | 3" | 6" | — |
| CSPTLL2836 | 28" | 3" | 6" | — |
| CSPTLL3036 | 30" | 3" | 6" | — |



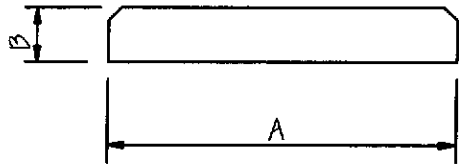
Flat Top Pyramid Caps

| ITEM NUMBER | "A" | "B" | "C" | "D" |
|-------------|-----|-----|-----|-----|
| CSPF1222 | 12" | 2" | 2" | — |
| CSPF1422 | 14" | 2" | 2" | — |
| CSPF1622 | 16" | 2" | 2" | — |
| CSPF1822 | 18" | 2" | 2" | — |
| CSPF2022 | 20" | 2" | 2" | — |
| CSPF2222 | 22" | 2" | 2" | — |
| CSPF2433 | 24" | 3" | 3" | — |
| CSPF2633 | 26" | 3" | 3" | — |
| CSPF2833 | 28" | 3" | 3" | — |
| CSPF3033 | 30" | 3" | 3" | — |



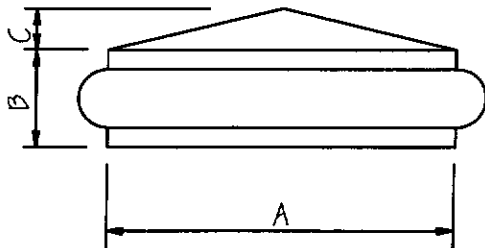
Flat Column Caps

| ITEM NUMBER | "A" | "B" | "C" | "D" |
|-------------|-----|-----|-----|-----|
| CSCF123 | 12" | 3" | — | — |
| CSCF143 | 14" | 3" | — | — |
| CSCF163 | 16" | 3" | — | — |
| CSCF183 | 18" | 3" | — | — |
| CSCF203 | 20" | 3" | — | — |
| CSCF223 | 22" | 3" | — | — |
| CSCF244 | 24" | 4" | — | — |
| CSCF264 | 26" | 4" | — | — |
| CSCF284 | 28" | 4" | — | — |
| CSCF304 | 30" | 4" | — | — |



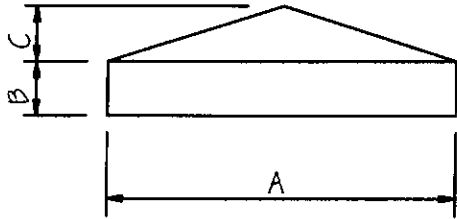
Chamfered Column Caps

| ITEM NUMBER | "A" | "B" | "C" | "D" |
|-------------|-----|-----|-----|-----|
| CSCC123 | 12" | 3" | — | — |
| CSCC143 | 14" | 3" | — | — |
| CSCC163 | 16" | 3" | — | — |
| CSCC183 | 18" | 3" | — | — |
| CSCC203 | 20" | 3" | — | — |
| CSCC223 | 22" | 3" | — | — |
| CSCC244 | 24" | 4" | — | — |
| CSCC264 | 26" | 4" | — | — |
| CSCC284 | 28" | 4" | — | — |
| CSCC304 | 30" | 4" | — | — |



Double Bull Column Cap

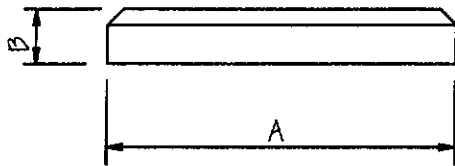
| ITEM NUMBER | "A" | "B" | "C" | "D" |
|-------------|-----|-------|-----|-----|
| CSBNC20 | 20" | 3.75" | 2" | — |
| CSBNC24 | 24" | 3.75" | 2" | — |
| CSBNC27 | 26" | 3.75" | 2" | — |



NOTE: "D" = LENGTH

Pyramid Wall Caps

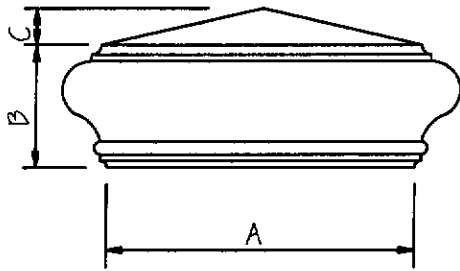
| ITEM NUMBER | "A" | "B" | "C" | "D" |
|-------------|-----|-----|-----|-----|
| CSP51022 | 10" | 2" | 2" | 36" |
| CSP51543 | 15" | 4" | 3" | 25" |



NOTE: "D" = LENGTH

Chamfered Wall Caps

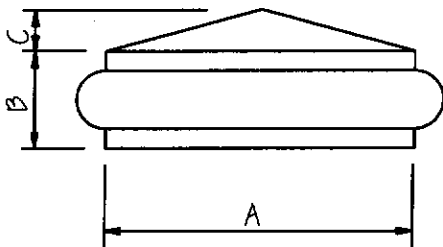
| ITEM NUMBER | "A" | "B" | "C" | "D" |
|-------------|-----|-----|-----|-----|
| CSC2104 | 10" | 4" | — | 48" |
| CSC284 | 8" | 4" | — | 48" |



NOTE: "D" = LENGTH

MLD-40 Wall Cap

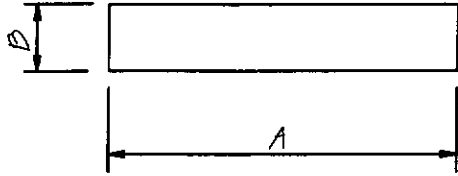
| ITEM NUMBER | "A" | "B" | "C" | "D" |
|-------------|-----|-------|-----|-----|
| CSML40104 | 10" | 4.75" | 2" | 42" |



NOTE: "D" = LENGTH

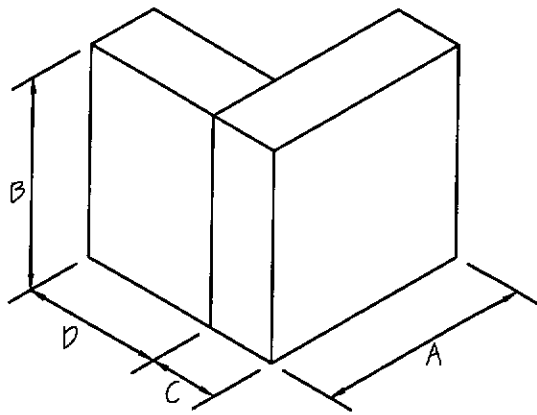
Double Bull Nose Wall Cap

| ITEM NUMBER | "A" | "B" | "C" | "D" |
|-------------|-----|-------|-----|-----|
| CSBN10375 | 10" | 3.75" | 2" | 42" |



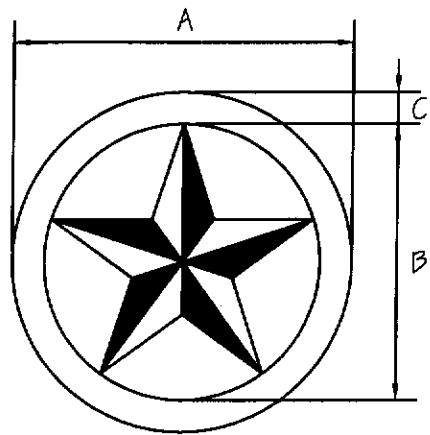
NOTE: "D" - LENGTH

| Flat Wall Caps | | | | |
|----------------|-----|-----|-----|-----|
| ITEM NUMBER | "A" | "B" | "C" | "D" |
| CSF2104 | 10" | 4" | - | 48" |
| CSF284 | 8" | 4" | - | 48" |



Quoins

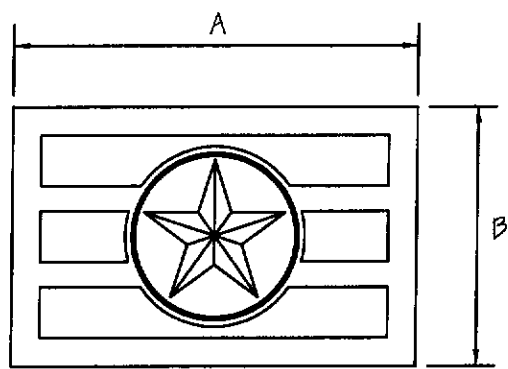
| ITEM NUMBER | "A" | "B" | "C" | "D" |
|-------------|-----|-----|-----|-----|
| 12"x12"x12" | 12" | 12" | 4" | 8" |
| 16"x16"x12" | 16" | 12" | 4" | 12" |
| 22"x22"x12" | 22" | 12" | 4" | 16" |



Star

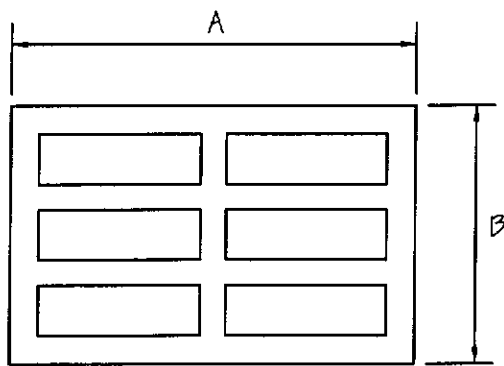
| ITEM NUMBER | "A" | "B" | "C" | "D" |
|-------------|-----|---------|--------|-----|
| CSASS | 8" | 7" | 1" | - |
| CSASS | 16" | 13-1/2" | 1-1/4" | - |
| CSASS | 32" | 26" | 3" | - |

** Additional sizes available



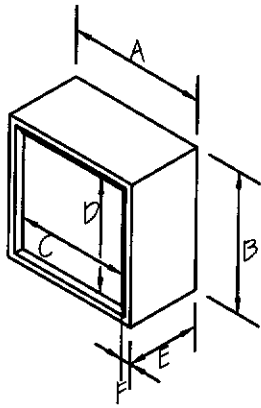
Vent - with star

| ITEM NUMBER | "A" | "B" | "C" | "D" |
|-------------|-----|---------|-----|-----|
| CSVENT | 16" | 10-1/4" | - | - |



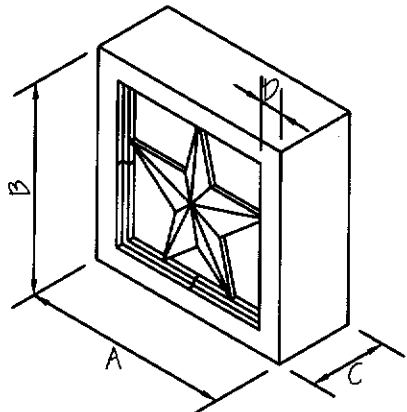
Vent - no star

| ITEM NUMBER | "A" | "B" | "C" | "D" |
|-------------|-----|---------|-----|-----|
| CSVENT | 16" | 10-1/4" | - | - |



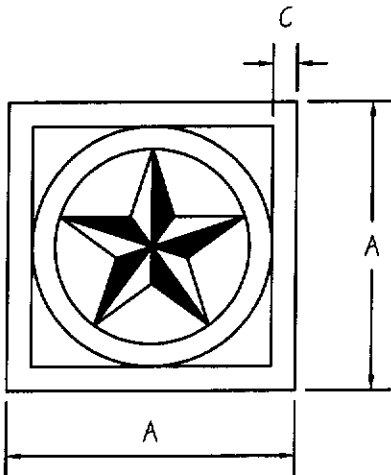
Recessed Plinth

| ITEM NUMBER | "A" | "B" | "C" | "D" | "E" | "F" |
|---------------|--------|--------|---------|---------|--------|--------|
| 8"x8" | 8" | 8" | 6-1/2" | 6-1/2" | 4-1/2" | 3-1/4" |
| 8"x12" | 8" | 12" | 6-1/2" | 10-1/2" | 4-1/4" | 3-1/4" |
| 9-3/4"x9-3/4" | 9-3/4" | 9-3/4" | 8-1/4" | 8-1/4" | 7-3/4" | 6-3/4" |
| 12"x12" | 12" | 12" | 10-1/2" | 10-1/2" | 5-3/4" | 4-3/4" |



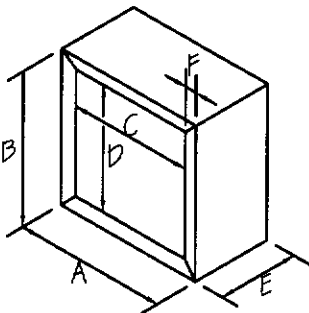
Star Plinth

| ITEM NUMBER | "A" | "B" | "C" | "D" |
|-------------|-----|-----|-----|------|
| 8"x8" | 8" | 8" | 3" | 3/4" |



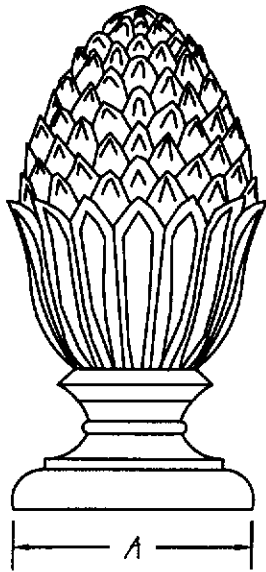
Star Plinth

| ITEM NUMBER | "A" | "B" | "C" | "D" |
|-------------|-----|-----|--------|-----|
| 19" x 19" | 19" | 19" | 1-1/2" | |

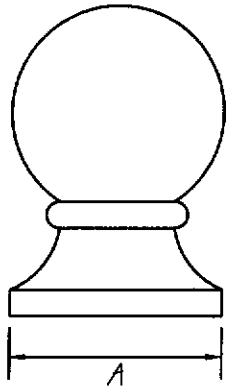


Chamfered Plinth

| ITEM NUMBER | "A" | "B" | "C" | "D" | "E" | "F" |
|---------------|--------|--------|---------|---------|--------|--------|
| 8"x8" | 8" | 8" | 6-1/2" | 6-1/2" | 4-1/4" | 3-1/4" |
| 8"x12" | 8" | 12" | 6-1/2" | 10-1/2" | 4-1/4" | 3-1/4" |
| 9-3/4"x9-3/4" | 9-3/4" | 9-3/4" | 8-1/4" | 8-1/4" | 7-3/4" | 6-3/4" |
| 12"x12" | 12" | 12" | 10-1/2" | 10-1/2" | 5-3/4" | 4-3/4" |

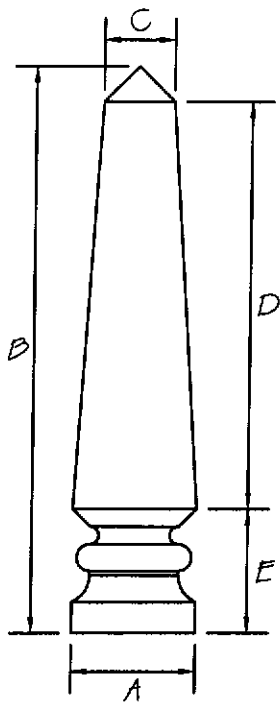


| Pineapple Finial | | | | | |
|------------------|-----|-----|-----|-----|-----|
| ITEM NUMBER | "A" | "B" | "C" | "D" | "E" |
| CSASPF | 12" | - | - | - | - |

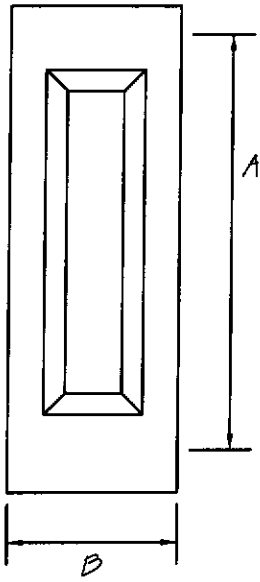


| 1 1/2 Ball Finial (Round Base) | | | | | |
|--------------------------------|-----|-----|-----|-----|-----|
| ITEM NUMBER | "A" | "B" | "C" | "D" | "E" |
| CSASBF | 12" | - | - | - | - |

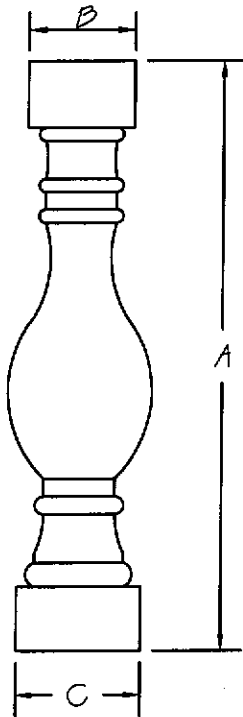
**** Also available in 8" & 16"**



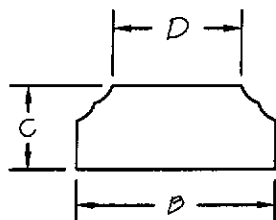
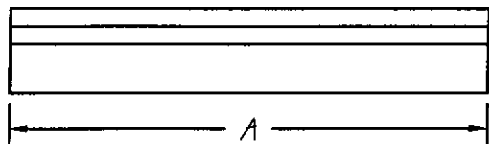
| Spire Finial | | | | | |
|--------------|-----|-----|-----|-----|-----|
| ITEM NUMBER | "A" | "B" | "C" | "D" | "E" |
| CSASSF | 7" | 23" | 4" | 14" | 7" |



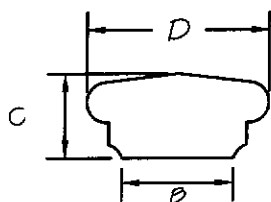
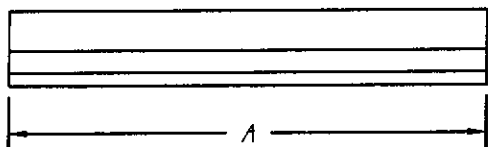
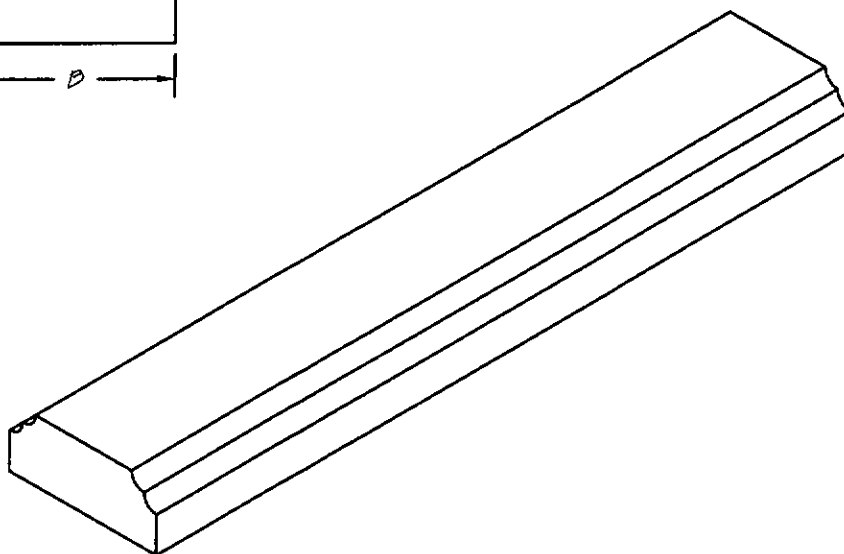
| Newel Post | | | | | |
|-------------|-----|-----|-----|-----|-----|
| ITEM NUMBER | "A" | "B" | "C" | "D" | "E" |
| CSASNP | 44" | 13" | - | - | - |



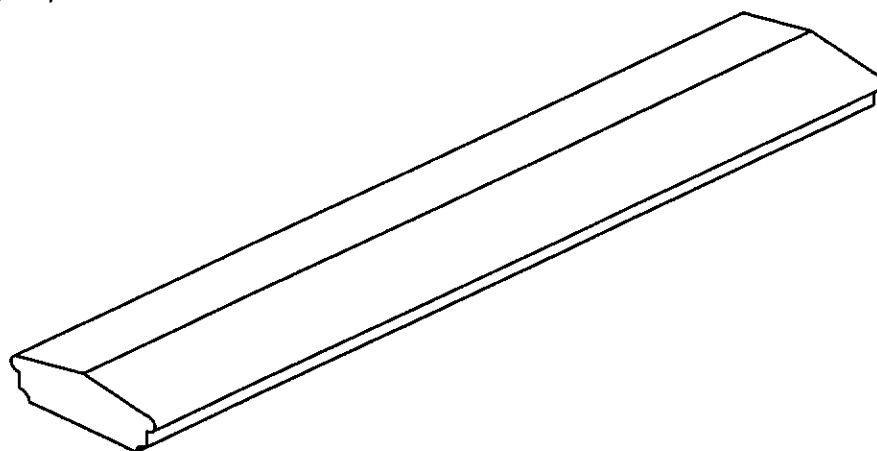
| Balustrade #1 | | | | |
|---------------|---------|-----|-----|-----|
| ITEM NUMBER | "A" | "B" | "C" | "D" |
| CSBAL1 | 33-3/4" | 6" | 7" | - |



| Bases | | | | |
|-------------|-----|---------|--------|--------|
| ITEM NUMBER | "A" | "B" | "C" | "D" |
| CSBASE | 54" | 11-1/4" | 4-3/4" | 7-5/8" |



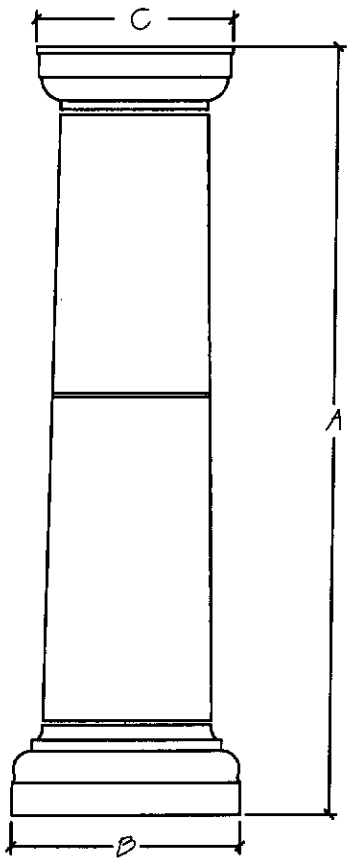
| Hand Rail | | | | |
|-------------|-----|-----|-----|---------|
| ITEM NUMBER | "A" | "B" | "C" | "D" |
| CSBAL2 | 54" | 4" | 9" | 12-1/4" |



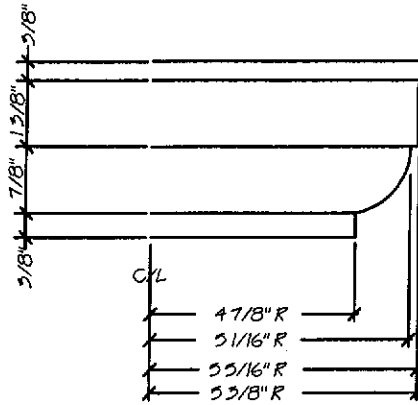
10 Column

| ITEM NUMBER | "A" | "B" | "C" | "D" |
|-------------|--------|-----|---------|-----|
| CSCOL10 | Varies | 13" | 10-3/4" | - |

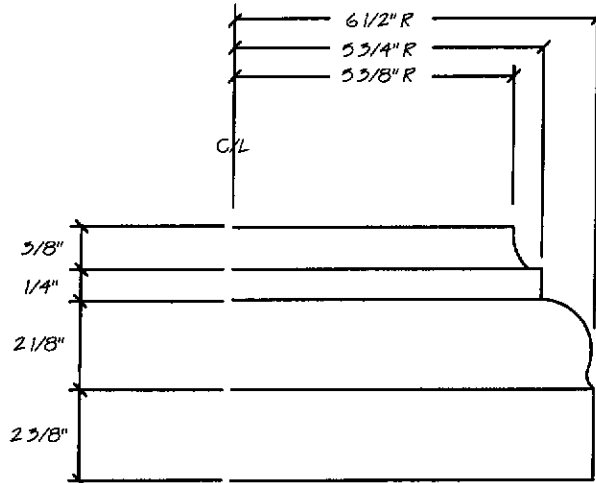
NOTE: MAX HT 10'-2"
MAX VOID 4 1/4"



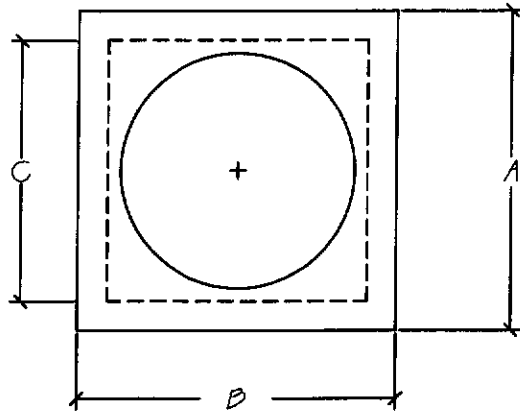
Note: Mortar Joints 3/8"



Cap Detail



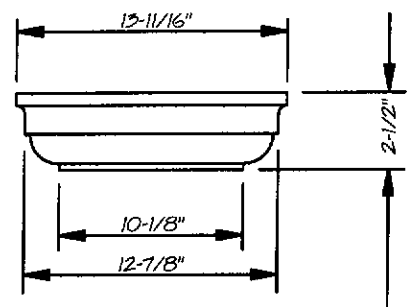
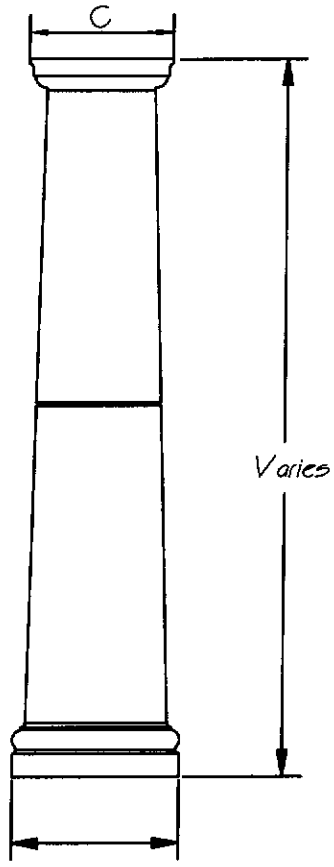
Base Detail



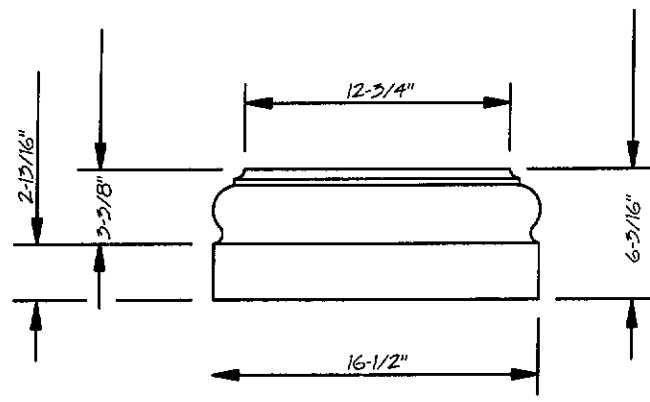
Note: Mortar Joints 3/8"

| 12 Column | | | | |
|-------------|--------|---------|-----|-----|
| ITEM NUMBER | "A" | "B" | "C" | "D" |
| CSCOL12 | Varies | 16-1/2" | - | - |

NOTE: MAX HT. 11'-4"
 INSIDE MAX VOID: 5-1/2" RD



COLUMN CAP DETAIL

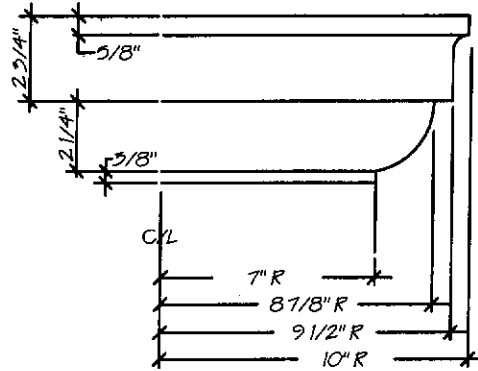
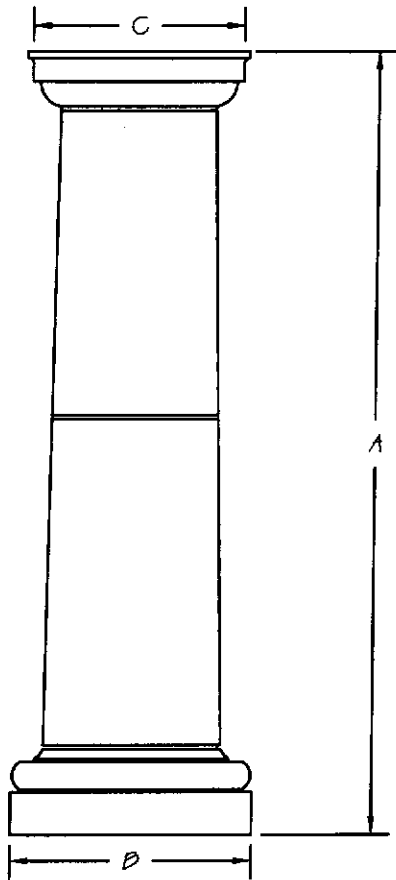


COLUMN BASE DETAIL

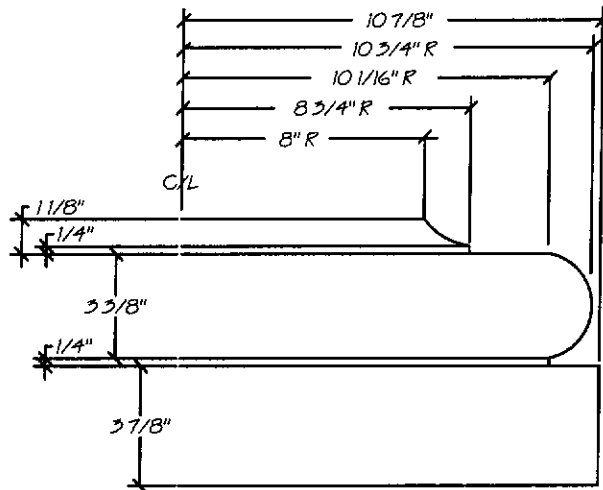
16 Column

| ITEM NUMBER | "A" | "B" | "C" | "D" |
|-------------|--------|---------|----------|-----|
| CSCOL16 | Varies | 21-3/4" | 19-1/16" | - |

NOTE: MAX HT. 11'-1 3/4"

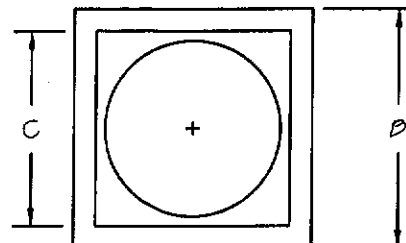


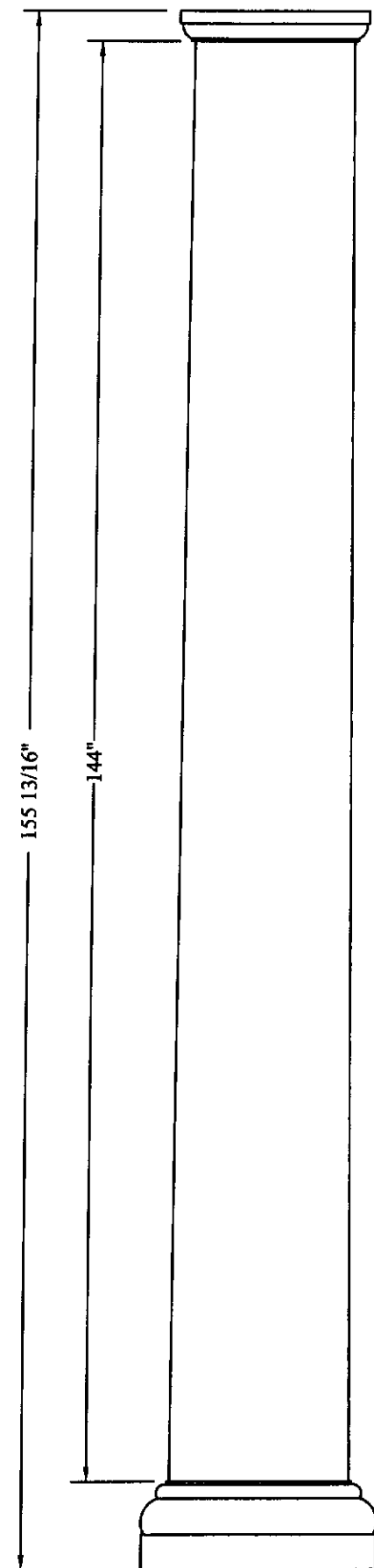
Cap Detail



Base Detail

Note: Mortar Joints 3/8"

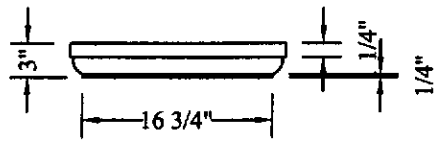




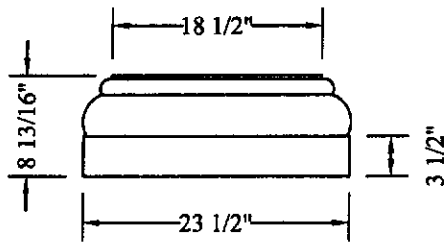
18 Column

| ITEM NUMBER | "A" | "B" | "C" | "D" |
|-------------|--------|---------|----------|-----|
| CSCOL18 | Varies | 23-1/2" | 19-1/16" | - |

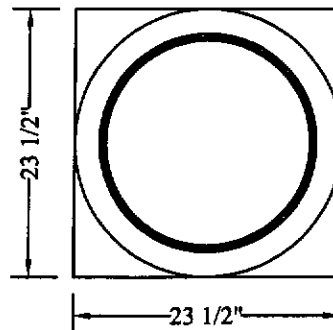
NOTE: NO MAX HT.
MAX VOID: 12" RD



Cap Detail



Base Detail

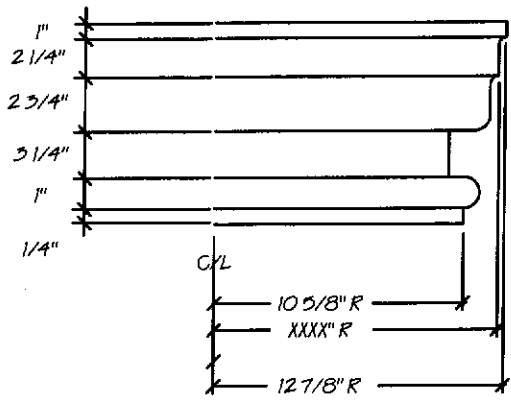
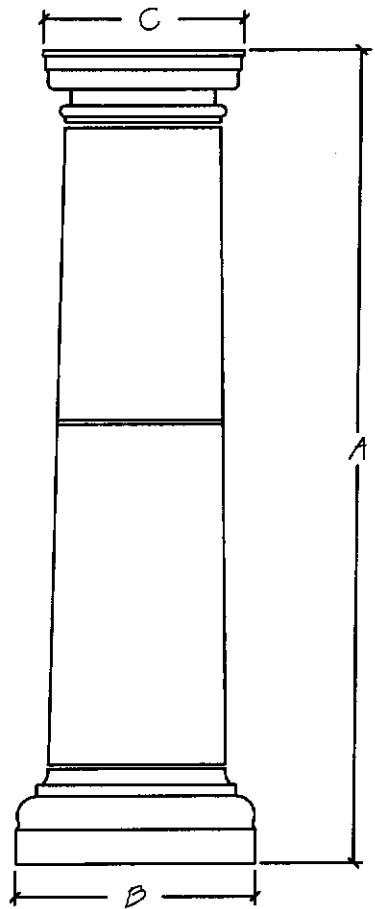


Note: Mortar Joints 3/8"
www.dti-supply.com

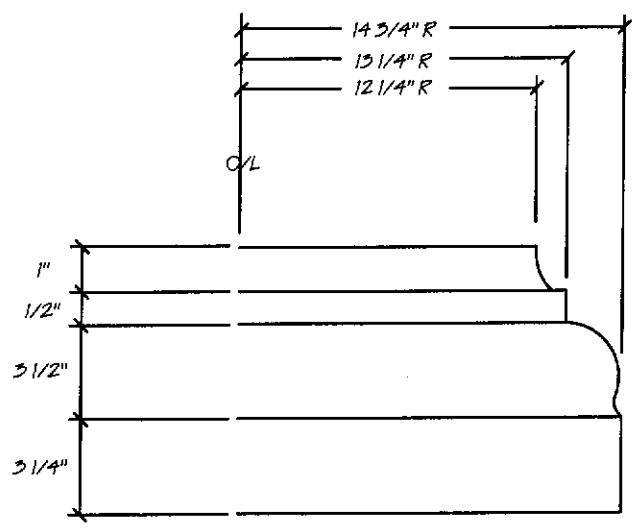
24 Column

| ITEM NUMBER | "A" | "B" | "C" | "D" |
|-------------|--------|---------|---------|-----|
| CSCOL24 | Varies | 29-1/2" | 25-3/4" | - |

NOTE: MAX HT. 12'-0"
MAX VOID: 17'-1/4" RD

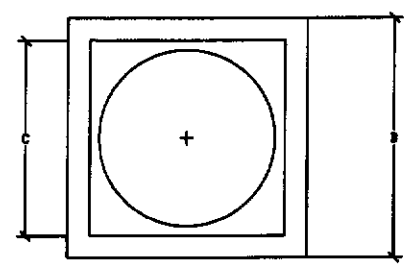


Cap Detail



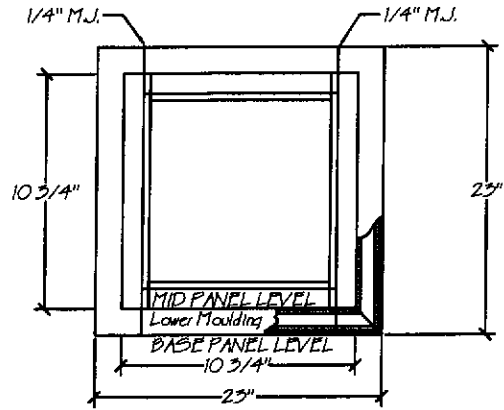
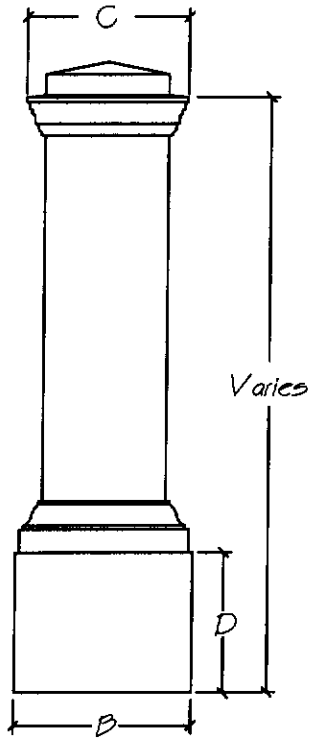
Base Detail

Note: Mortar Joints 3/8"

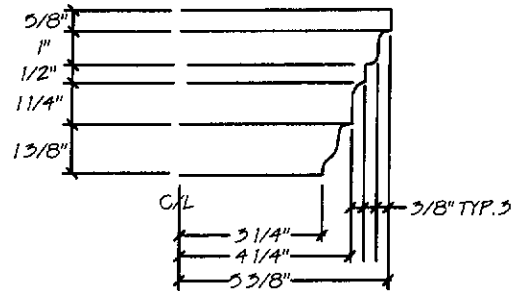


23 Waterford Column (Square)

| ITEM NUMBER | "A" | "B" | "C" | "D" |
|-------------|--------|-----|---------|-----|
| CSWCOL23 | Varies | 23" | 10-3/4" | 18" |

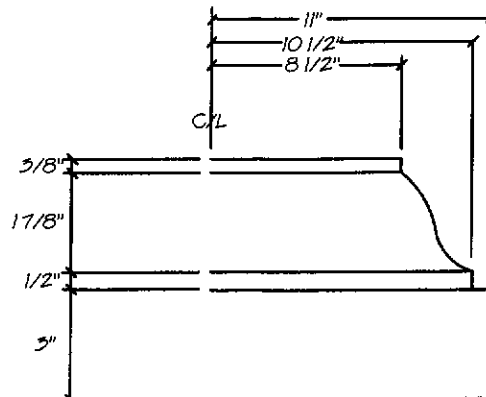


COLUMN CUTAWAY BELOW UPPER MOULDING



COLUMN CAP DETAIL

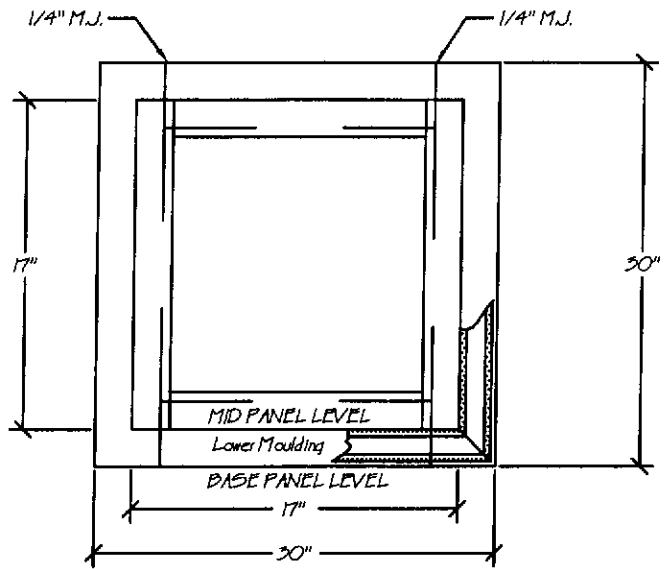
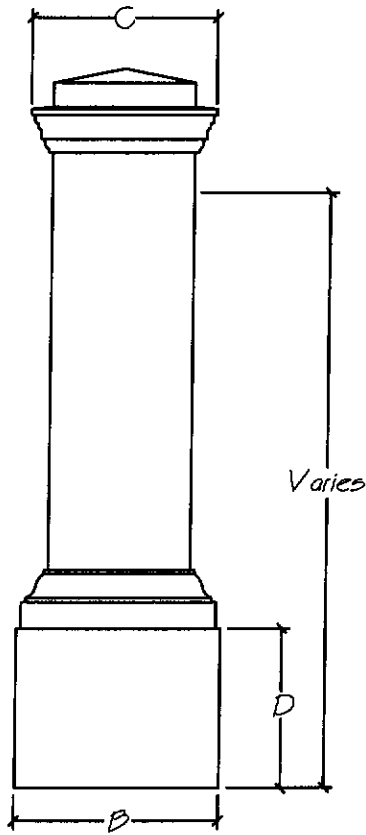
Note: Mortar Joints 3/8"



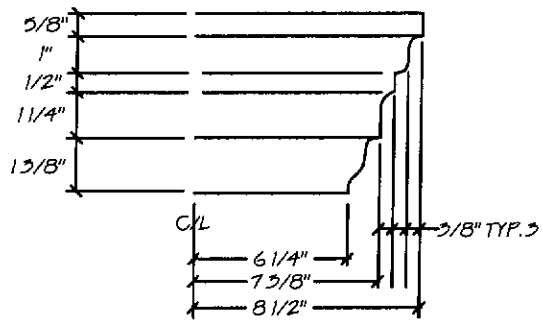
COLUMN BASE DETAIL

30 Waterford Column (Square)

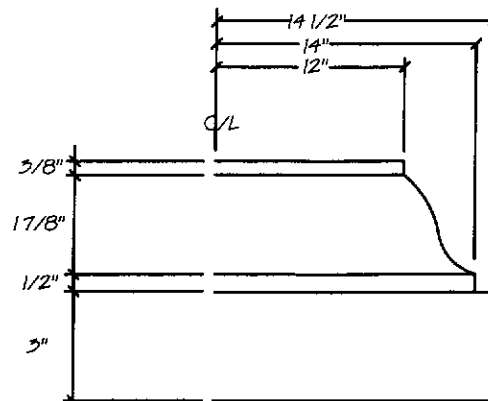
| ITEM NUMBER | "A" | "B" | "C" | "D" |
|-------------|--------|-----|-----|-----|
| CSWCOL30 | Varies | 30" | 17" | 18" |



COLUMN CUTAWAY BELOW UPPER MOULDING



COLUMN CAP DETAIL

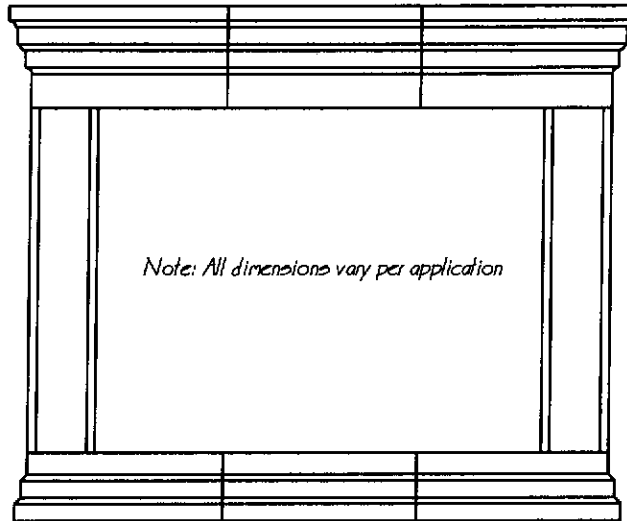


COLUMN BASE DETAIL

Note: Mortar Joints 3/8"

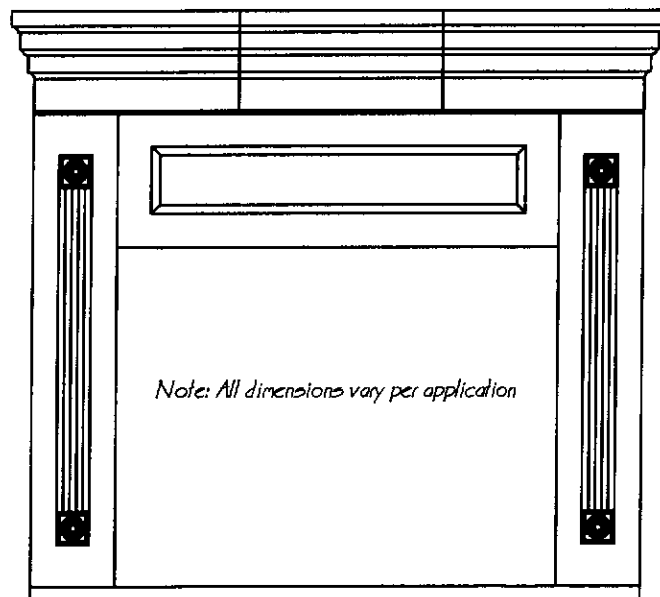
Dusenbury (Fireplace)

| ITEM NUMBER | "A" | "B" | "C" | "D" |
|-------------|-----|-----|-----|-----|
| CSFPDB | - | - | - | - |

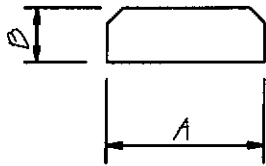


Edward 1 (Fireplace)

| ITEM NUMBER | "A" | "B" | "C" | "D" |
|-------------|-----|-----|-----|-----|
| CSFPED1 | - | - | - | - |

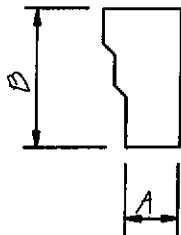


Note - Virtually every molding profile we offer is available in lengths up to 36 inches.
 Also, every profile has been replicated in many different radii for arched applications such as window surrounds and entries.



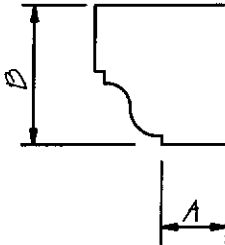
MLD-10 Molding

| ITEM NUMBER | "A" | "B" | "C" | "D" |
|-------------|-----|-----|-----|-----|
| CSML1064 | 6" | 4" | - | 36" |
| CSML1084 | 8" | 4" | - | 36" |



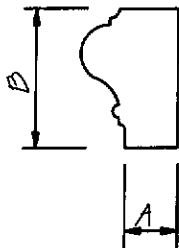
MLD-20 Molding

| ITEM NUMBER | "A" | "B" | "C" | "D" |
|-------------|-----|-----|-----|-----|
| CSML2084 | 4" | 8" | - | 36" |



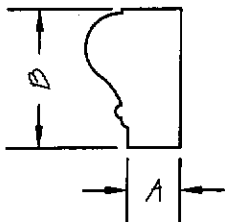
MLD-30 Molding

| ITEM NUMBER | "A" | "B" | "C" | "D" |
|-------------|--------|--------|-----|-----|
| CSML30735 | 3-5/8" | 6-3/4" | - | 36" |



MLD-40 Molding

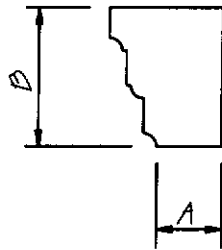
| ITEM NUMBER | "A" | "B" | "C" | "D" |
|-------------|-----|-----|-----|-----|
| CSML4063 | 3" | 6" | - | 36" |



MLD-45 Molding

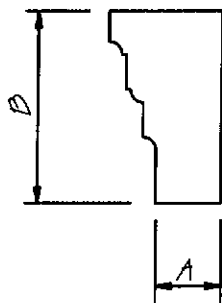
| ITEM NUMBER | "A" | "B" | "C" | "D" |
|-------------|-----|-----|-----|-----|
| CSML4584 | 4" | 8" | - | 36" |

Note - Virtually every molding profile we offer is available in lengths up to 36 inches.
 Also, every profile has been replicated in many different radii for arched applications such as window surrounds and entries.



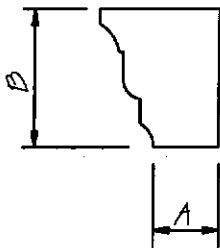
MLD-50 Molding

| ITEM NUMBER | "A" | "B" | "C" | "D" |
|-------------|--------|-----|-----|--------|
| CSML508475 | 4-1/2" | 8" | - | Varies |



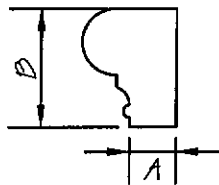
MLD-55 Molding

| ITEM NUMBER | "A" | "B" | "C" | "D" |
|-------------|--------|-----|-----|--------|
| CSML5512475 | 4-3/4" | 12" | - | Varies |



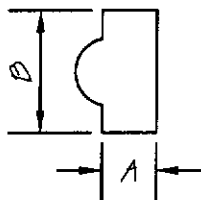
MLD-65 Molding

| ITEM NUMBER | "A" | "B" | "C" | "D" |
|-------------|-----|-----|-----|--------|
| CSML6564 | 4" | 6" | - | Varies |



MLD-70 Molding

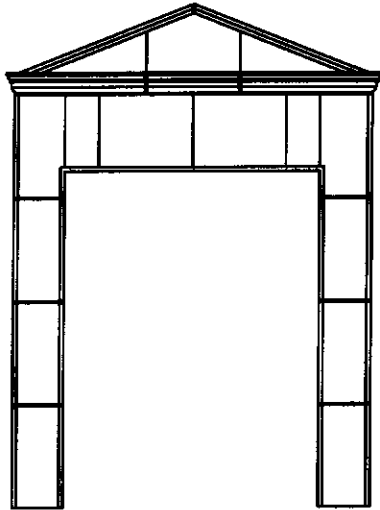
| ITEM NUMBER | "A" | "B" | "C" | "D" |
|-------------|-----|-----|-----|--------|
| CSML7064 | 4" | 6" | - | Varies |



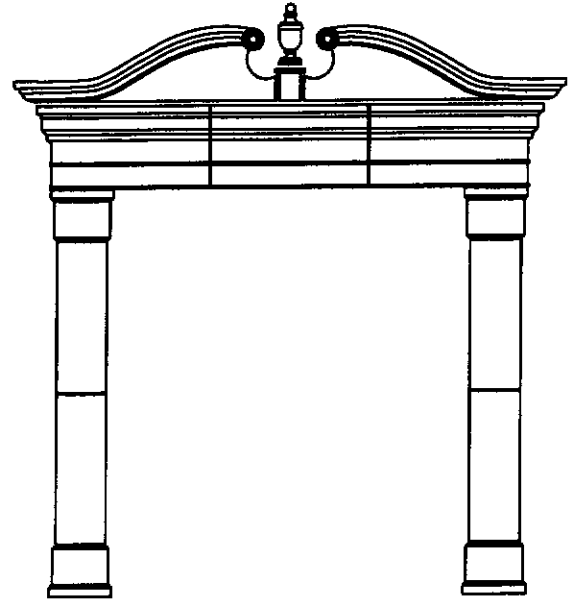
MLD-75 Molding

| ITEM NUMBER | "A" | "B" | "C" | "D" |
|-------------|-----|-----|-----|--------|
| CSML7544 | 4" | 4" | - | Varies |

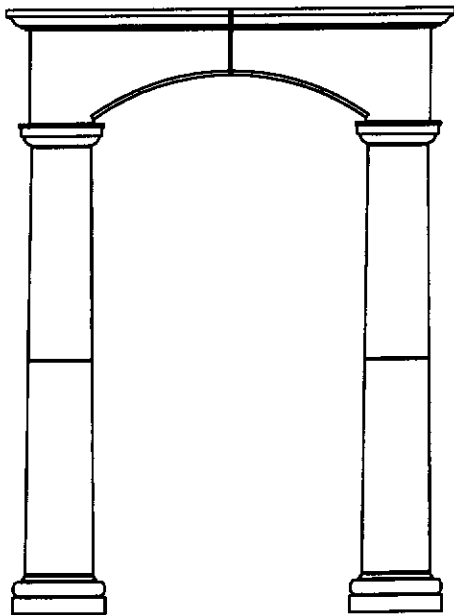
Belaire Entry



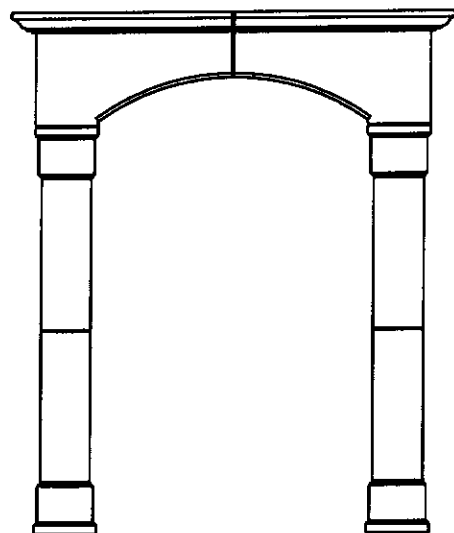
Bentwater Entry



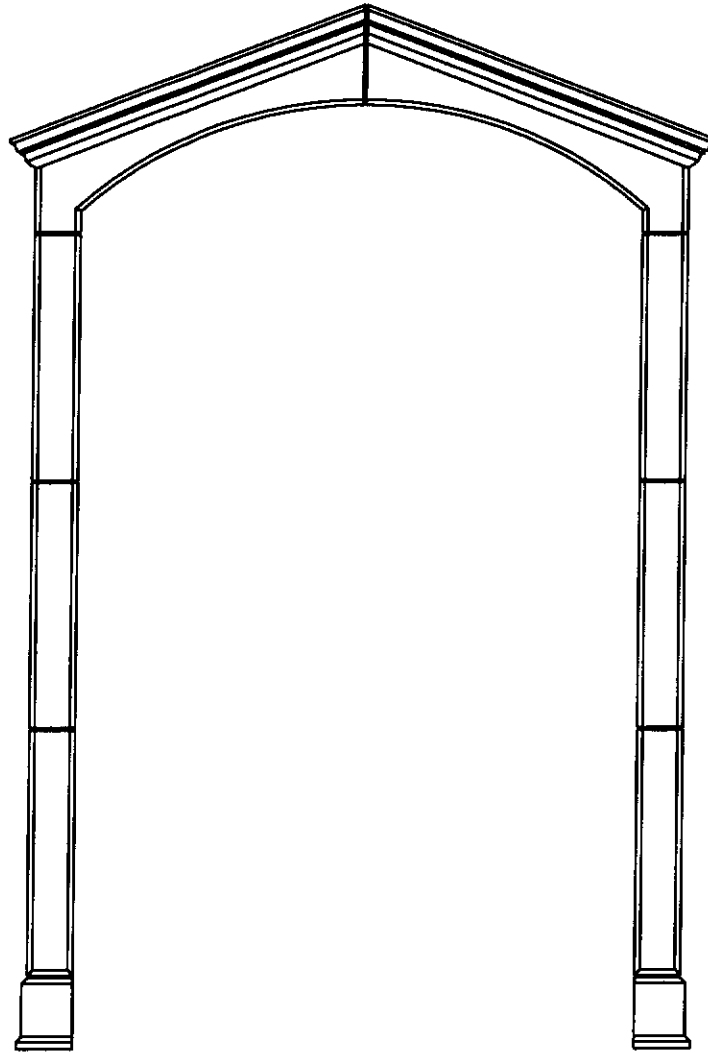
Inverness Entry



Inverness II Entry



Phillip House Entry

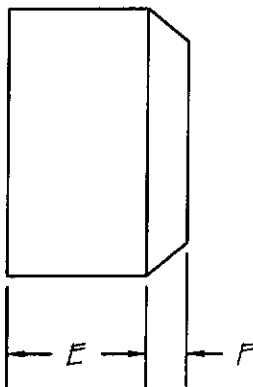
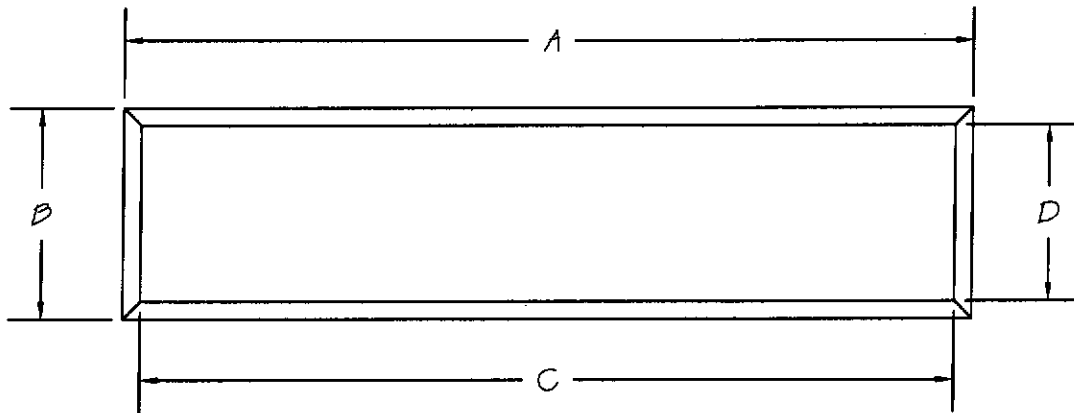


Note: Dimensions vary per application

Chamfered Sign Panel

| ITEM NUMBER | "A" | "B" | "C" | "D" | "E" | "F" |
|-------------|-----|-----|---------|---------|--------|------|
| CSCSP30 | 30" | 15" | 28-1/2" | 13-1/2" | 3-3/4" | 3/4" |
| CSCSP78 | 78" | 22" | 76-1/2" | 20-1/2" | 2-1/4" | 3/4" |
| CSCSP96 | 96" | 30" | 94-1/2" | 28-1/2" | 3-1/4" | 3/4" |

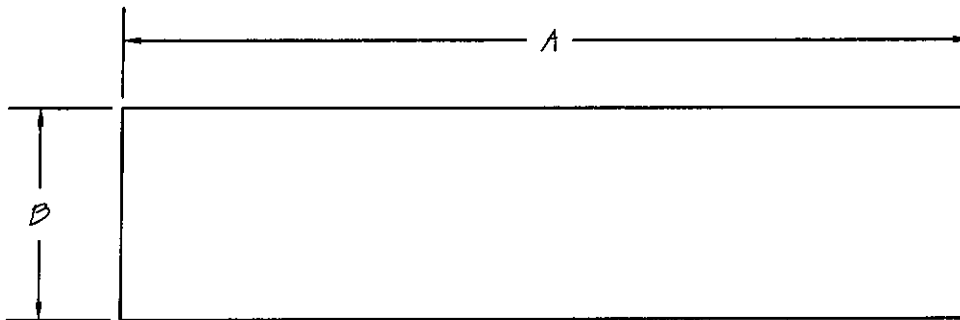
** NOT LIMITED TO THESE SIZES ASK FOR AVAILABILITY



Flat Sign Panel

| ITEM NUMBER | "A" | "B" | "C" | "D" | "E" | "F" |
|-------------|-----|---------|-----|-----|-----|-----|
| CSFSP57 | 57" | 25-1/2" | 3" | - | - | - |
| CSFSP72 | 72" | 48" | 4" | - | - | - |
| CSFSP78 | 78" | 20" | 4" | - | - | - |

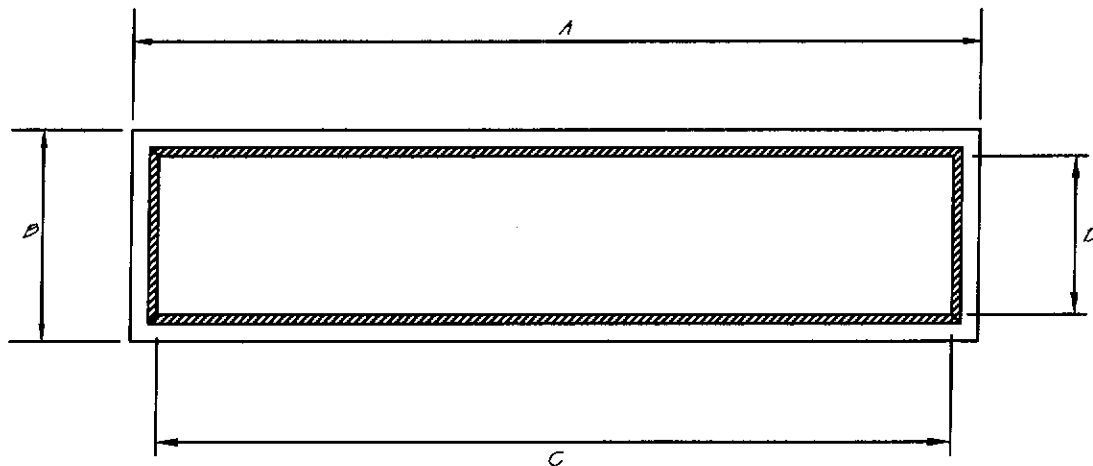
**** NOT LIMITED TO THESE SIZES ASK FOR AVAILABILITY**



Recessed Sign Panel

| ITEM NUMBER | "A" | "B" | "C" | "D" | "E" | "F" |
|-------------|-----|-----|---------|---------|--------|------|
| CSRSP24 | 24" | 15" | 18-1/2" | 9-1/2" | 3-1/4" | 3/4" |
| CSRSP27 | 27" | 18" | 21-1/2" | 12-1/2" | 3-1/4" | 3/4" |
| CSRSP31 | 31" | 13" | 29" | 11" | 3-1/4" | 3/4" |
| CSRSP60 | 60" | 36" | 44-1/2" | 30-1/2" | 3-1/4" | 3/4" |
| CSRSP96S | 96" | 18" | 91" | 15" | 3-1/4" | 3/4" |
| CSRSP96M | 96" | 36" | 90-1/2" | 30-1/2" | 3-1/4" | 3/4" |
| CSRSP96L | 96" | 48" | 90-1/2" | 42-1/2" | 3-1/4" | 3/4" |

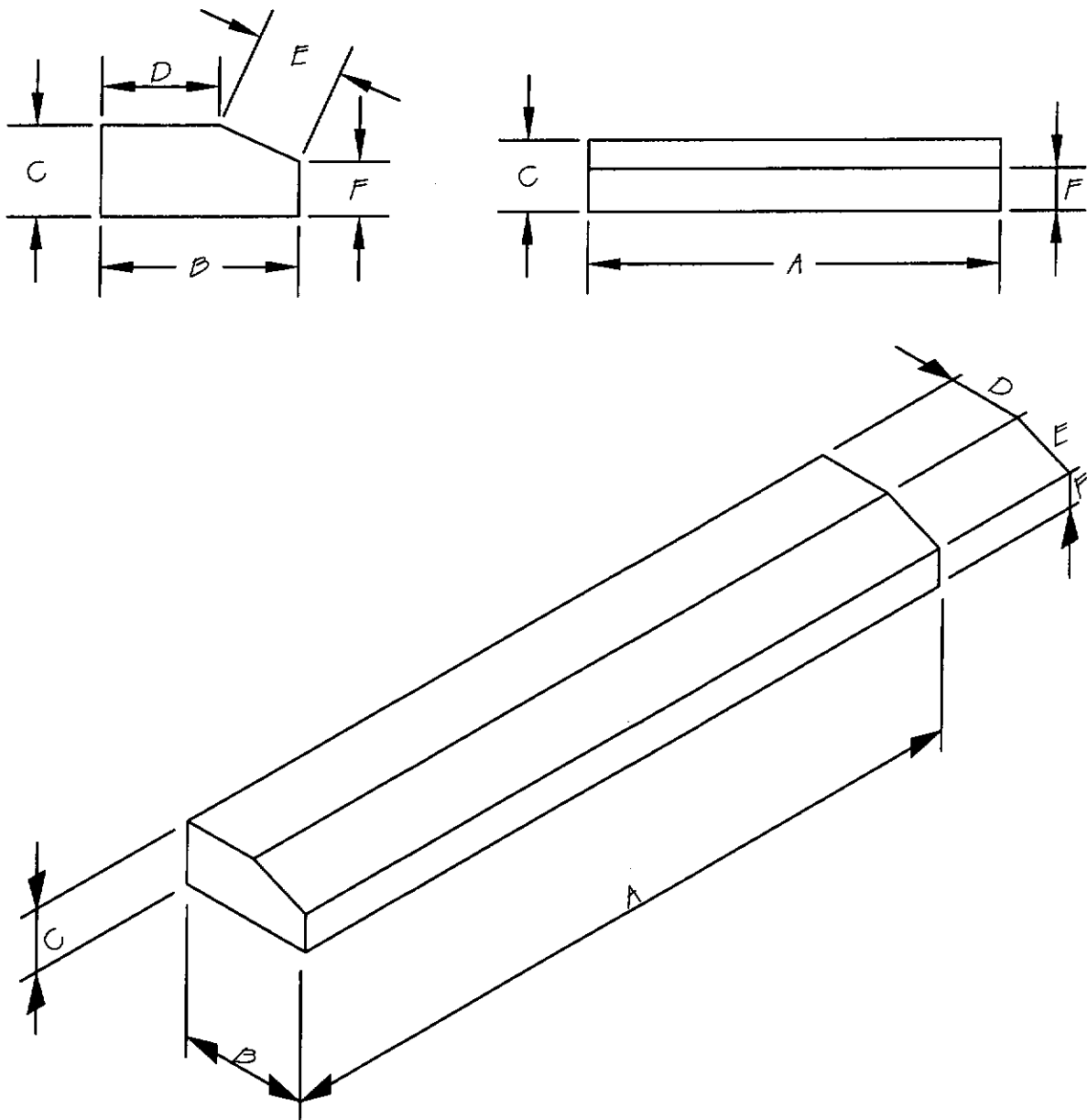
** NOT LIMITED TO THESE SIZES ASK FOR AVAILABILITY



Standard Window Sill

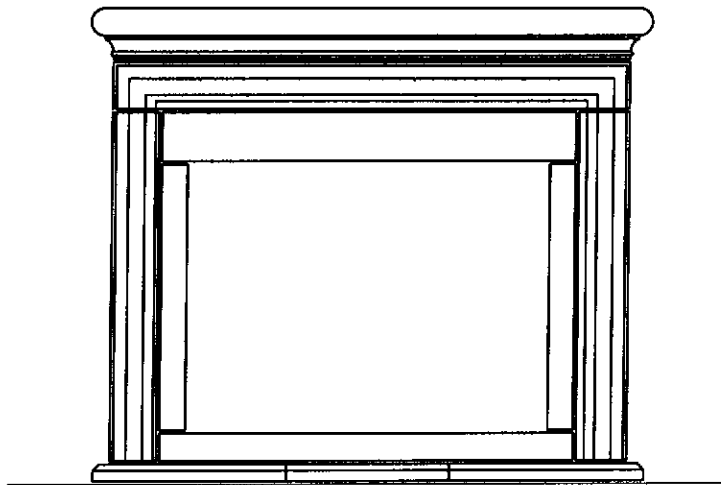
| ITEM NUMBER | "A" | "B" | "C" | "D" | "E" | "F" |
|-------------|----------|--------|--------|-----|-----|--------|
| CSSWS1018W | VARIABLE | 6-3/4" | 3-1/8" | 4" | 3" | 1-7/8" |

** NOTE: PIECES ARE AVAILABLE IN LENGTHS UP TO 36" IN LONG

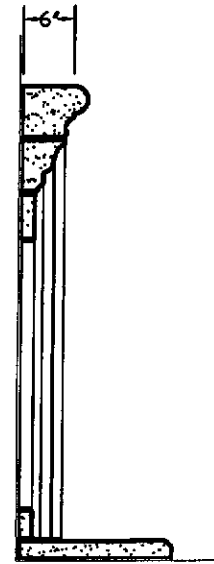


Walnut Hill

| ITEM NUMBER | "A" | "B" | "C" | "D" |
|-------------|-----|-----|-----|-----|
| CSF1 | - | - | - | - |



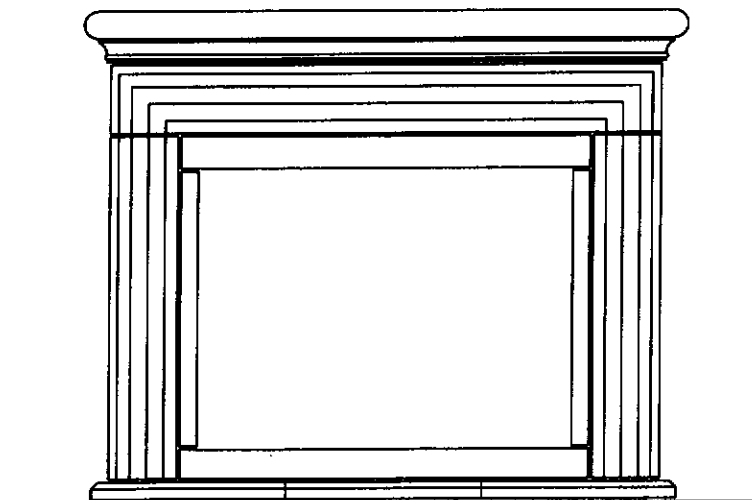
Elevation



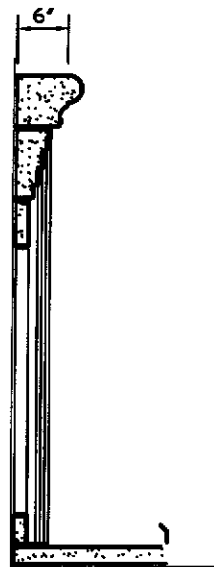
Section

Oak Wood

| ITEM NUMBER | "A" | "B" | "C" | "D" |
|-------------|-----|-----|-----|-----|
| CSF2 | - | - | - | - |



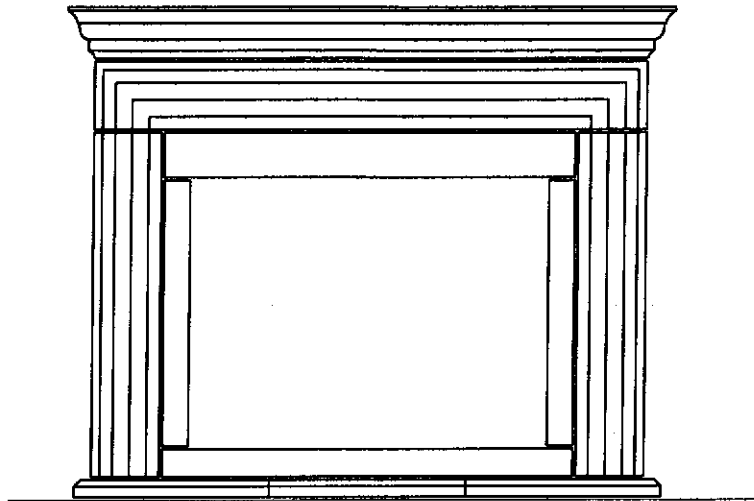
Elevation



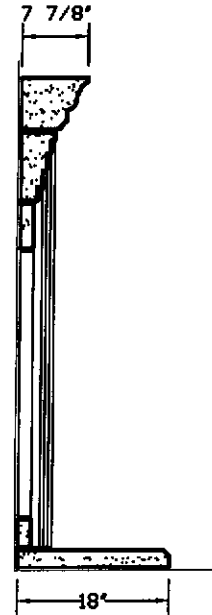
Section

Spring Hill

| ITEM NUMBER | "A" | "B" | "C" | "D" |
|-------------|-----|-----|-----|-----|
| CSF3 | - | - | - | - |



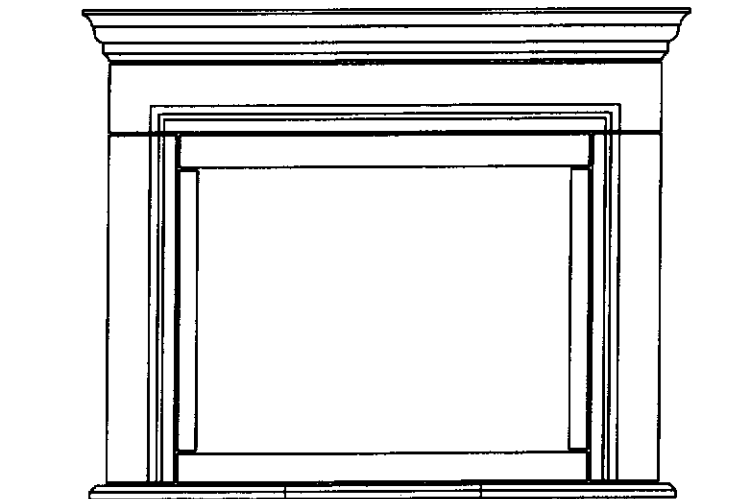
Elevation



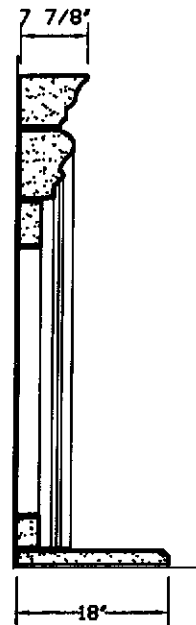
Section

Briar Glenn

| ITEM NUMBER | "A" | "B" | "C" | "D" |
|-------------|-----|-----|-----|-----|
| CSF4 | - | - | - | - |



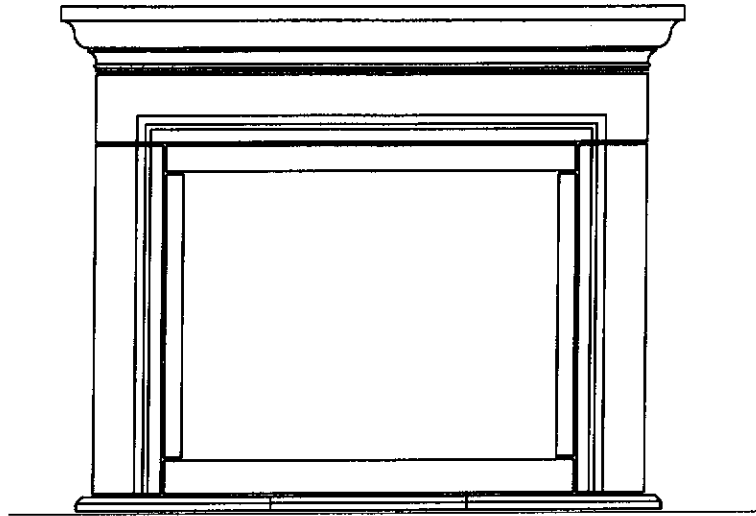
Elevation



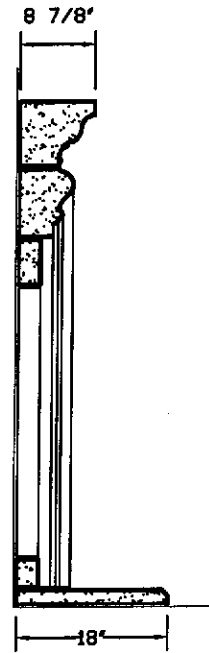
Section

Oak Glenn

| ITEM NUMBER | "A" | "B" | "C" | "D" |
|-------------|-----|-----|-----|-----|
| CSF5 | - | - | - | - |



Elevation



Section

Window Sill

| ITEM NUMBER | "A" | "B" | "C" | "D" | "E" | "F" |
|-------------|-----|-----|-----|-----|-----|-----|
| CSWS5466 | 54" | 6" | 6" | - | - | - |

